



ÜBER BOILER

PRECISION BREWING
STATION FOR BREW-BY-BREW
EXCELLENCE

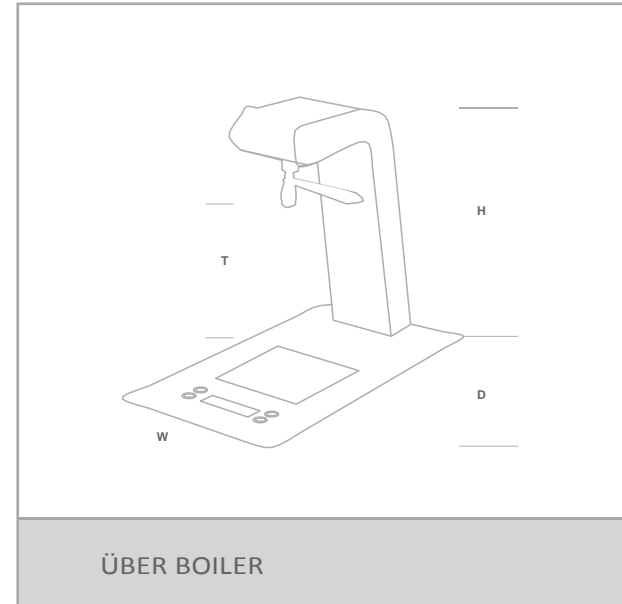
ÜBER BOILER



FEATURES/

- Incorporates water drain, weighing scales, timer and high precision temperature delivery.
- 0.1°C accurate with patented APLogic™ software.
- Variable manual control flowrate.
- Joystick for directional flow.
- For high precision applications.

DIMENSIONS/



IDEAL FOR HIGH
PRECISION
MANUAL
BREWING OF
SPECIALITY
COFFEE AND TEA

SPECS/OPTIONS

DESCRIPTION	ORDER CODE	IMMEDIATE DRAW OFF (L)	OUTPUT PER HOUR (L)	CUPS PER HOUR	POWER @ 230V	WEIGHT (KG)
ÜBER BOILER	1000680	6L / *10.5L (*China Ver)	28	156	2.8kW	24

DESCRIPTION	DIMENSIONS OVER COUNTER (DXWXHmm)	T (mm)	DIMENSIONS UNDER COUNTER (DXWXHmm)	PACKAGING DIMENSIONS (DXWXHmm)	QTY PER PALLET	PLUMBING REQUIREMENTS
ÜBER BOILER	470x250x400	270	405x190x400	570x340x1000	5	3/4" BSP

FOR CUSTOMER CARE/SPARES & SERVICE VISIT

WWW.MARCOBEVERAGESYSTEMS.COM